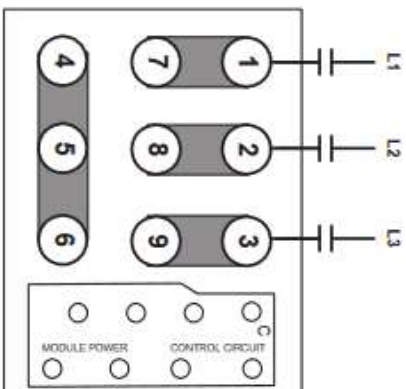


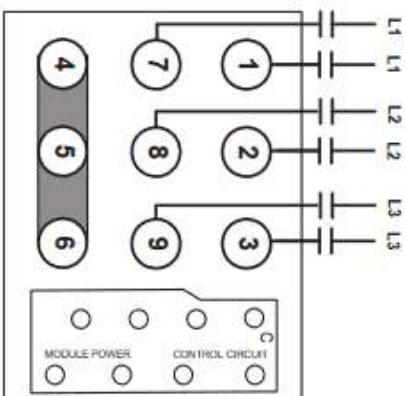


www.AmericanHermetics.net - 800-240-9200

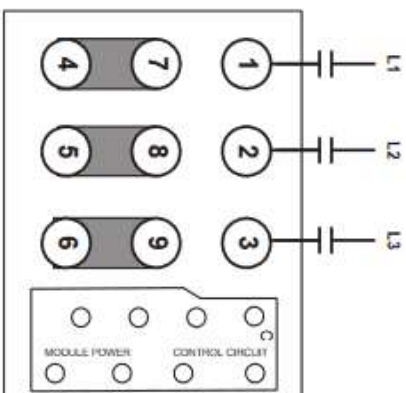
4R, 6R, 8R, 4D, 6D AND 8D COPELAND COMPRESSORS



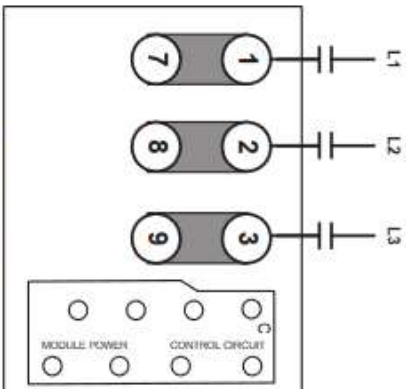
9 - Pin Terminal Plate
(208-230/460V Models)
208-230 Across the Line Start



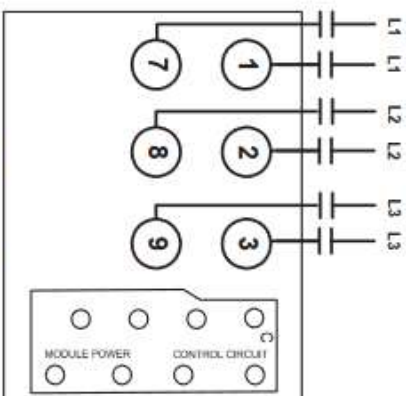
9 - Pin Terminal Plate
(208-230/460V Models)
208-230 Part Winding Start



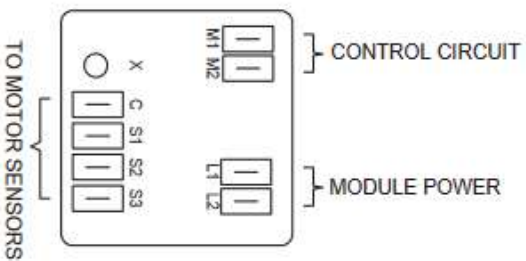
9 - Pin Terminal Plate
(208-230/460V Models)
460V Across the Line Start



6 - Pin Terminal Plate
(460V Models)
460V Across the Line Start



6 - Pin Terminal Plate
(460V Models)
460V Part Winding Start





www.AmericanHermetics.net - 800-240-9200

MODEL		4DA1000	4DE1000	4DH1500	4DK1500	4DL1500	4DP1500	4DA2000	4DE2000	4DJ2000
MOTOR SIZE HP		10	10	15	15	15	15	20	20	20
208-230	LRA	240	240	278.0	278.0	278.0	278.0	308.0	308.0	346.0
	RLA	53.6	53.6	64.1	64.1	52.6	52.6	66.0	66.0	71.4
-3- 60	MCC	75.0	75.0	86.0	86.0	65.0	65.0	93.2	93.2	100.0
	LRA	110.0	110.0	136.0	136.0	139.0	139.0	154.0	154.0	173.0
460	RLA	25.7	25.7	32.9	32.9	26.3	26.3	33.0	33.0	32.9
	MCC	36.0	36.0	46.1	46.1	32.5	32.5	46.6	46.6	46.0

MODEL		4DR2000	4DB2200	4DC2200	4DT2200	4DS2200	4DH2500	4DK2500	4DJ3000	4DR3000
MOTOR SIZE HP		20	22	22	22	22	25	25	30	30
208-230	LRA	346.0	374.0	374.0	374.0	374.0	428.0	428.0	470.0	470.0
	RLA	71.4	65.6	65.6	66.0	66.0	82.2	82.2	94.0	94.0
-3- 60	MCC	100.0	91.8	91.8	72.0	72.0	115.0	115.0	131.6	131.6
	LRA	173.0	187.0	187.0	187.0	187.0	214.0	214.0	235.0	235.0
460	RLA	32.9	32.8	32.8	33.0	33.0	41.1	41.1	47.0	47.0
	MCC	46.0	45.9	45.9	36.0	36.0	57.5	57.5	65.8	65.8

MODEL		4RA-0750	4RA1000	4RE1000	4RH1500	4RK1500	4RL1500	4RA2000	4RE2000	4RH2500	4RR3000
208-230	LRA	172	240.0	240.0	278.0	278.0	278.0	308.0	308.0	428.0	470.0
	RLA	27.6	54.8	54.8	63.3	63.3	62.6	71.4	71.4	88.5	102.0
-3- 60	MCC	38.6	78.8	78.8	88.2	88.2	87.7	100.0	100.0	121.5	135.0
	LRA	86.0	120.0	120.0	139.0	139.0	139.0	154.0	154.0	214.0	235.0
460	RLA	13.8	27.4	27.4	31.5	31.5	31.3	35.7	35.7	44.3	51.0
	MCC	19.3	38.4	38.4	44.1	44.1	43.9	50.0	50.0	60.8	67.5

MODEL		6DH2000	6DP2000	6DD2700	6DB3000	6DE3000	6DF3000	6DH3500	6DK3500	6DJ4000
MOTOR SIZE HP		20	20	27	30	30	30	35	35	40
ELECTRICAL DATA										
208-230	LRA	346.0	346.0	450.0	565	470.0	470.0	565.0	565.0	594.0
	RLA	75.0	75.0	80.8	105.0	111.0	111.0	175.0	175.0	14.0
-3- 60	MCC	105.0	105.0	113.0	147.0	155.3	155.3	125.0	125.0	198.0
	LRA	173.0	173.0	225.0	283	235.0	235.0	283.0	283.0	297.0
460	RLA	37.5	37.5	40.4	47.8	55.5	55.5	6.5	6.5	71.0
	MCC	52.5	52.5	56.5	51.8	77.7	77.7	87.5	87.5	99.0

MODEL		6RA1000	6RE2000	6RP2000	6RL2500	6RA3000	6RN3000	6RK3500	6RJ4000
MOTOR SIZE HP		10	20	20	25	30	30	35	40
ELECTRICAL DATA									
208-230	LRA	240.0	308.0	308.0	428.0	470.0	470.0	556.0	594.0
	RLA	43.6	67.3	72.0	96.9	105.0	105.0	135.0	142.0
-3- 60	MCC	61.0	91.6	100.8	135.7	146.0	146.0	188.0	198.0
	LRA	120.0	154.0	154.0	214.0	235.0	235.0	283.0	297.0
460	RLA	21.8	33.7	36.0	48.5	52.5	52.5	67.5	71.0
	MCC	30.5	45.8	50.4	67.9	73.0	73.0	94.0	99.0

MODEL		8RP5000	8RS6000	8DP5000	8DS6000
MOTOR SIZE HP		50	60	50	60
ELECTRICAL DATA					
208-230	LRA	1118.0	1070.0	1070.0	1070.0
	RLA	191.1	219.0	180.0	224.0
-3- 60	MCC	267.0	306.0	252.0	314.0
	LRA	559.0	553.0	535.0	535.0
460	RLA	96.0	109.0	90.0	112.0
	MCC	134.0	153.0	126.0	157.0
575	LRA			405.0	405.0
	RLA			75.0	80.0
-3- 60	MCC			105.0	112.0