



www.AmericanHermetics.net - 800-240-9200

HANBELL SCREW COMPRESSORS

Refrigeration Type

Low & Medium Temperature



**Efficient &
Cost Effective**

New

LA1 ~ LA5

25, 30, 35, 40, 50 HP

LA Series ~ Refrigeration
Low & Medium Temperature
Screw Compressors

+14°F ~ -58°F
-10°C ~ -50°C

R22

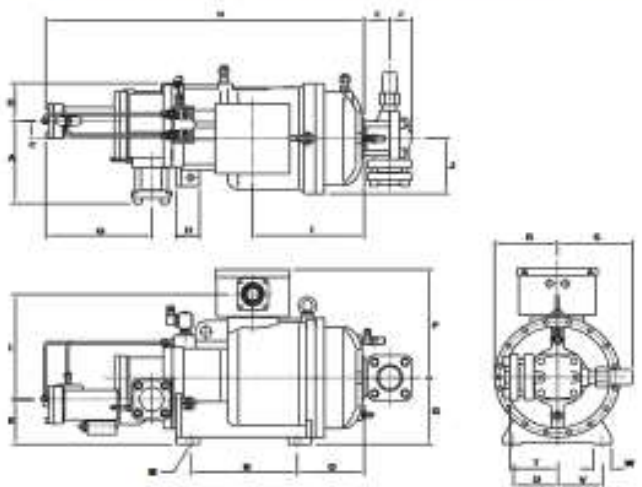
R404A

R507A



LA Series ~ Physical Specifications:							Features			
Description		LA1	LA2	LA3	LA4	LA5	and Owner Benefits			
Compressor	Displacement @ 60 Hz.	CFH	3814	4520	5121	6074	7098	1.	Motors Specially designed for High Efficiency Refrigeration Duty	
	Displacement @ 50 Hz.	CFH	3178	3779	4273	5050	5933			
	Rated Speed	RPM	60 Hz. = 3550 & 50 Hz. = 2950							
	Volume Ratios Available	Vi	2.2 ~ 4.8						2.	Adjustable Vi Ratio Design available
	Capacity Control	%	Continuous between 33% & 100%						3.	Continuous & Three Step Capacity Control Available
	Capacity Control	%	Three Step Type - 33%, 66%, 100%							
	Refrigerant	Type	R22, R404A, R507A							
	Lubrication	Type	Differential Pressure Feed Lubrication						4.	Standard Injection Ports include:
	Oil Heater Wattage	Watts	150 Watts							Economizer Port
	Lubricant Type	Mineral	SUN SUNISO - 5GS or CPI 4214-320							Liquid Injection - Motor Cooling
Lubricant Type	POE	CPI SOLEST - 370							Liquid Injection - Compression Chamber Cooling	
Hydrostatic Pressure Test	PSIG	600								
Discharge Connection Size	inches O.D.	1 5/8"	1 5/8"	1 5/8"	1 5/8"	1 5/8"				
Suction Connection Size	inches O.D.	2 1/8"	2 1/8"	2 5/8"	2 5/8"	2 5/8"				
Compressor Weights	Lbs.	419	430	485	551	573	5.	Optional Accessories:		
Compressor Weights	kg	190	195	220	250	260			Safety Relief Valve	
Motor & Voltage Phase	Type	3 Phase, 2 Pole, Induction Motor							Oil Cooler	
Starting Methods	YD	YD Starting - (60Hz. and 50Hz.)							Oil Flow Switch	
Voltage Availability	60 Hz	208/3/60, 230/3/60, 460/3/60, 575/3/60							Oil Flow Control Solenoid Valve	
Voltage Availability	50 Hz	380/3/50, 400/3/50, 415/3/50								
Insulation	Type	Class F								
Protection	Type	PTC Protection						6.	Discharge and Motor Temp Protection	

Compressor Outline Dimensions:



Dimensions in "Inches, converted from mm"

Model	A	B	C	D	E	F	G	H
LA1	9.57	4.37	2.05	34.65	2.76	2.40	11.54	2.56
LA2	9.57	4.37	2.05	34.85	2.78	2.40	11.54	2.58
LA3	10.24	4.72	2.05	42.20	3.19	2.56	14.69	2.56
LA4	10.24	4.72	2.05	42.20	3.19	2.56	14.69	2.56
LA5	10.24	4.72	2.05	44.80	3.19	2.56	15.79	3.27
Model	I	J	K	L	M	N	O	P
LA1	12.17	6.38	4.80	13.19	4 @ .71	11.61	7.28	13.54
LA2	12.17	6.38	4.80	13.19	4 @ .71	11.61	7.28	13.54
LA3	14.02	7.01	5.24	13.27	4 @ .71	15.35	7.87	13.54
LA4	14.02	7.01	5.24	13.27	4 @ .71	15.35	7.87	13.54
LA5	14.02	7.01	5.24	13.27	4 @ .71	15.35	7.87	13.54
Model	Q	R	S	T	U	V	W	
LA1	7.09	6.38	7.68	5.08	4.53	4.53	1.89	
LA2	7.09	6.38	7.68	5.08	4.53	4.53	1.89	
LA3	7.68	7.01	8.62	5.51	5.31	5.31	1.89	
LA4	7.68	7.01	8.62	5.51	5.31	5.31	1.89	
LA5	7.68	7.01	8.62	5.51	5.31	5.31	1.89	