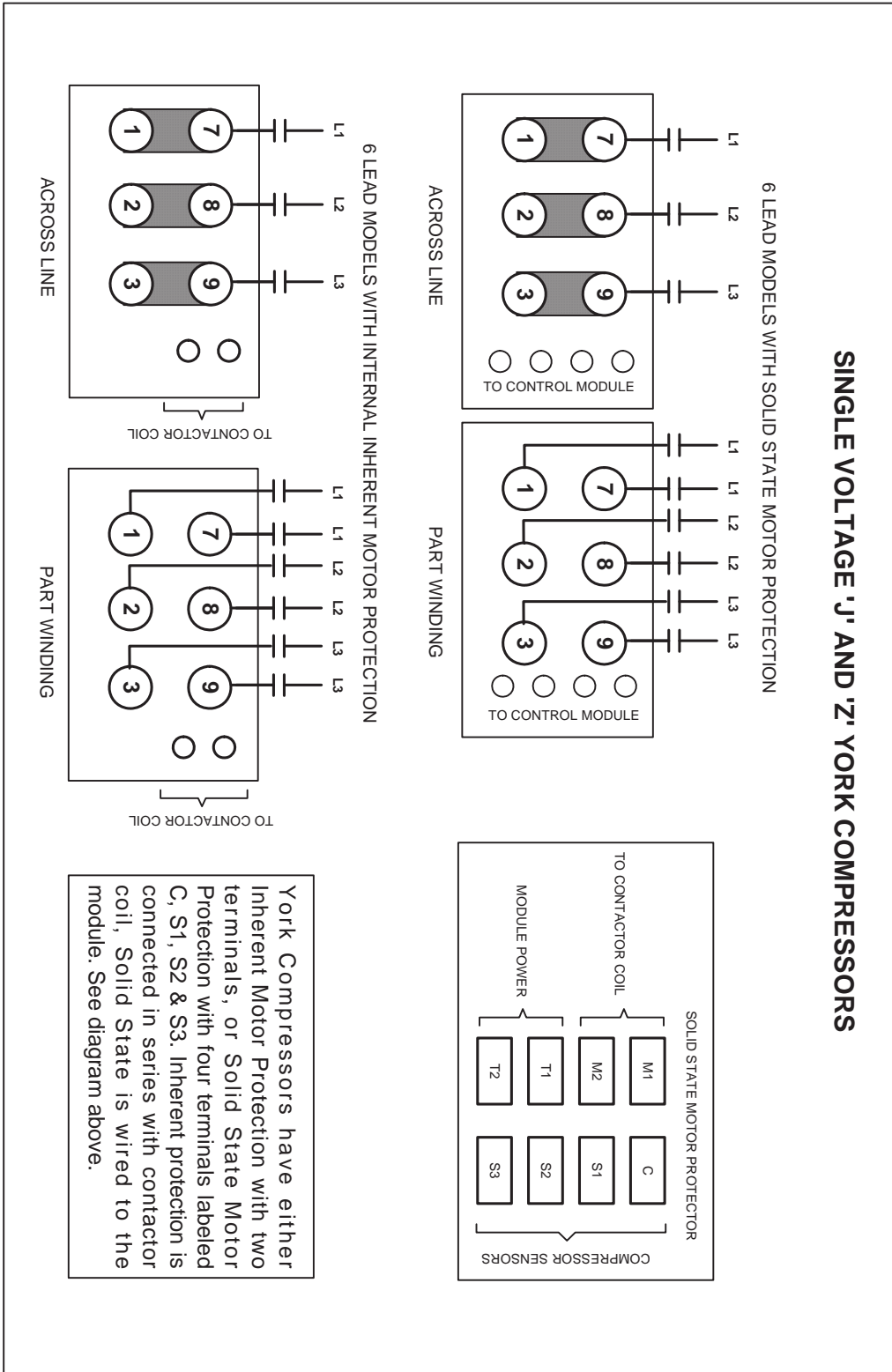


ALL 'J' AND 'Z' YORK COMPRESSORS SINGLE VOLTAGE

SINGLE VOLTAGE 'J' AND 'Z' YORK COMPRESSORS



| MOTOR CODE - York Z | | B | C | D | E |
|---------------------|---------|------|------|-----|------|
| MOTOR SIZE HP | | 35 | 40 | 45 | 60 |
| 208-230-3-60 | LRA | 528 | 674 | 741 | 880 |
| | MAX RLA | 112 | 132 | 159 | 172 |
| 230-3-60 | LRA | 506 | 586 | 644 | 765 |
| | MAX RLA | 97 | 114 | 138 | 172 |
| 460-3-60 | LRA | 253 | 293 | 306 | 383 |
| | MAX RLA | 48.5 | 57 | 69 | 86 |
| 575-3-60 | LRA | 202 | 234 | 258 | 306 |
| | MAX RLA | 38.8 | 45.6 | 55 | 68.8 |

NOTE: Last Didgit in Model Number Specifies Motor Manufacturer. L = Leroy Somer S = AO Smith

| YORK MOTORS, MODEL JS, A THROUGH D STYLES | | | | | YORK MOTORS, MODEL, JS & JG , E & F STYLES & MODEL JG. | | | | | |
|---|-----------|------|------|------|---|---------|------|------|------|------|
| MOTOR CODE | L | M | N | | MOTOR CODE | M | N | P | Q | |
| MOTOR SIZE HP | 50 | 60 | 70 | | MOTOR SIZE HP | 60 | 70 | 80 | 90 | |
| ELECTRICAL DATA | | | | | ELECTRICAL DATA | | | | | |
| 208-3-60 | LRA | 820 | 940 | 1095 | 208-3-60 | LRA | 913 | 1099 | 1203 | 1541 |
| | NAMEPLATE | 165 | 195 | 227 | | NAMEPLA | 202 | 238 | 280 | 318 |
| 230-3-60 | LRA | 740 | 850 | 980 | 230-3-60 | LRA | 794 | 956 | 1046 | 1340 |
| | NAMEPLATE | 149 | 177 | 206 | | NAMEPLA | 174 | 207 | 244 | 275 |
| 460-3-60 | LRA | 370 | 425 | 490 | 460-3-60 | LRA | 397 | 478 | 523 | 670 |
| | NAMEPLATE | 74 | 88 | 103 | | NAMEPLA | 87 | 104 | 122 | 137 |
| 575-3-60 | LRA | 305 | 340 | 415 | 575-3-60 | LRA | 318 | 382 | 418 | 536 |
| | NAMEPLATE | 60 | 71 | 91 | | NAMEPLA | 70 | 83 | 97 | 110 |
| Motor code is a letter found in the model number on the | | | | | Motor code is a letter found in the model number on the | | | | | |
| MOTOR CODE | P | Q | S | | MOTOR CODE | S | T | V | | |
| MOTOR SIZE HP | 80 | 95 | 115 | | MOTOR SIZE HP | 115 | 135 | 160 | | |
| ELECTRICAL DATA | | | | | ELECTRICAL DATA | | | | | |
| 208-3-60 | LRA | 1320 | 1640 | 1930 | 208-3-60 | LRA | 1746 | | | |
| | NAMEPLATE | 265 | 306 | 382 | | NAMEPLA | 387 | | | |
| 230-3-60 | LRA | 1190 | 1370 | 1580 | 230-3-60 | LRA | 1518 | | | |
| | NAMEPLATE | 240 | 275 | 341 | | NAMEPLA | 336 | | | |
| 460-3-60 | LRA | 595 | 685 | 790 | 460-3-60 | LRA | 756 | 960 | 1050 | |
| | NAMEPLATE | 120 | 138 | 171 | | NAMEPLA | 168 | 210 | 238 | |
| 575-3-60 | LRA | 479 | 550 | 635 | 575-3-60 | LRA | 607 | 768 | 840 | |
| | NAMEPLATE | 96 | 111 | 137 | | NAMEPLA | 134 | 168 | 190 | |